



C-Flex® EZ Top® Container Closures

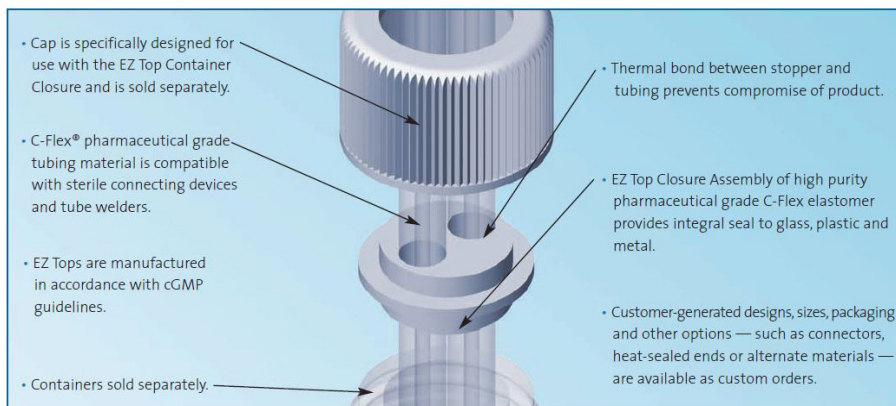
C-Flex® EZ Top® Container Closures are used to create a complete container assembly when combined with a cap and container. Economically designed for single use, EZ Tops play a key role in the reduction of cleaning and assembly time, along with contamination from repeated use. One-piece construction eliminates product loss and contamination due to loose connections. They are made from C-Flex USP Class VI resin and tubing to insure an unobstructed fluid path, extremely low levels of extractables and provide an elastomeric seal against glass, plastic and metal surfaces. EZ Tops are easily used with sterile connecting devices and thermal tubing sealers. Standard configurations fit a wide variety of glass, plastic and stainless steel containers, from 60 mL vials to 20 L carboys. EZ Top Container Closures are pre-packaged in units of 10. Caps are specifically designed for use with the EZ Top Closures and sold separately in units of 10. Containers are also sold separately. Custom designs such as port configurations, tubing dimensions, materials, sizes, and packaging available upon request.

Features / Benefits

- Economical single-use closures reduce cleaning and assembly time
- Eliminates contamination issues with repeat-use closures
- Provides elastomeric seal against glass, plastic and metal surfaces
- Made from C-Flex® USP Class VI compliant resin and tubing
- Integral one-piece design eliminates product loss and contamination
- Unobstructed fluid path
- Extremely low levels of extractables
- Custom options available upon request

Typical Applications

- Critical fluid management
- Closed system sample collection
- Sterile weld connections



EZ Top® Container Closures for NALGENE®- containers

| Container Size | Closure Size | Ports | Tubing Dimensions | Catalog Number | Cap Catalog Number |
|----------------|-----------------|--------|---------------------|----------------|--------------------|
| 60 mL | 20-415 | 2 port | 1/16"ID x 3/16"OD | EZ60 ML-20-2 | CAP-20 |
| 60 mL | 24-415 | 2 port | 1/8"ID x 1/4"OD | EZ60 ML-24-2 | CAP-24 |
| 125 mL | 38-430 | 2 port | 1/8"ID x 1/4"OD | EZ125 ML-38-2 | CAP-38 |
| 250 mL | 38-430 | 2 port | 1/8"ID x 1/4"OD | EZ250 ML-38-2 | CAP-38 |
| 500 mL | 38-430 | 2 port | 1/8"ID x 1/4"OD | EZ500 ML-38-2 | CAP-38 |
| 1 Liter | 38-430 | 2 port | 1/8"ID x 1/4"OD | EZ01 L-38-2 | CAP-38 |
| 2 Liter | 38-430 | 2 port | 1/4"ID x 3/8"OD | EZ02 L-38-2 | CAP-38 |
| 10 Liter | 48 mm Biotainer | 3 port | 1/4"ID x 3/8"OD | EZ10 L-48-3 | CAP-48QA |
| 20 Liter | 48 mm Biotainer | 3 port | (2) 1/4"ID x 3/8"OD | EZ20 L-48-3 | CAP-48QA |

Trim to fit EZ Top® Container Closures*

| Container Size | Closure Size | Ports | Tubing Dimensions | Catalog Number | Cap Catalog Number |
|----------------|--------------|--------|---------------------|----------------|--------------------|
| - | 24-415 | 2 port | 1/8"ID x 1/4"OD | EZU-24-2 | CAP-24 |
| - | 38-430 | 2 port | 1/8"ID x 1/4"OD | EZU-38-2 | CAP-38 |
| - | 38-430 | 3 port | 1/8"ID x 1/4"OD | EZU-38-2 | CAP-38 |
| - | GL45 | 2 port | 1/8"ID x 1/4"OD | EZU-45-2 | CAP-GL45 |
| - | 53B | 3 port | (2) 3/8"ID x 1/2"OD | EZU-53-3 | CAP-53B |

*Closure size determines catalog ordering number. Tubing lengths are designed to be trimmed to fit a range of container sizes.

EZ Top® Container Closures for glass containers

| Container Size | Closure Size | Ports | Tubing Dimensions | Catalog Number | Cap Catalog Number |
|----------------|--------------|--------|-------------------|----------------|--------------------|
| 50 mL | GL32 | 2 port | 1/8"ID x 1/4"OD | EZ50 ML-32-2 | CAP-GL32 |
| 100 mL | GL45 | 2 port | 1/4"ID x 3/8"OD | EZ100 ML-45-2 | CAP-GL45 |
| 250 mL | GL45 | 2 port | 1/4"ID x 3/8"OD | EZ250 ML-45-2 | CAP-GL45 |
| 500 mL | GL45 | 2 port | 1/4"ID x 3/8"OD | EZ500 ML-45-2 | CAP-GL45 |
| 1 Liter | GL45 | 2 port | 1/8"ID x 1/4"OD | EZ01 L-45-2A | CAP-GL45 |
| 1 Liter | GL45 | 2 port | 1/4"ID x 3/8"OD | EZ01 L-45-2B | CAP-GL45 |
| 2 Liter | GL45 | 2 port | 1/4"ID x 3/8"OD | EZ02 L-45-2 | CAP-GL45 |
| 5 Liter | GL45 | 2 port | 1/4"ID x 3/8"OD | EZ05L-45-2 | CAP-GL45 |
| 10 Liter | GL45 | 2 port | 1/4"ID x 3/8"OD | EZ10 L-45-2 | CAP-GL45 |
| 15 Liter | GL45 | 2 port | 1/4"ID x 3/8"OD | EZ15 L-45-2 | CAP-GL45 |
| 20 Liter | GL45 | 2 port | 1/4"ID x 3/8"OD | EZ20 L-45-2 | CAP-GL45 |

EZ Top® and C-Flex® are registered trademarks, of Saint-Gobain Life Sciences
Nalgene® is a registered trademark of Thermo Fisher Scientific

Uncontrolled Document - for the controlled version of this document please visit www.biopharm.saint-gobain.com

Contact us today for:

Consultations • Samples • Quotes • Orders

For registered access to Saint-Gobain Product Validation Summaries,

[CLICK HERE](#)

IMPORTANT: It is the user's responsibility to ensure the suitability and safety of Saint-Gobain Life Sciences products for all intended uses and that the materials to be used comply with all applicable medical regulatory requirements. Saint-Gobain Life Sciences assumes no responsibility for any product failures that occur due to misuse of the materials it provides arising out of the design, fabrication or application of the products into which the materials are incorporated.

WARRANTY: For a period of 12 months from the date of first sale, Saint-Gobain Life Sciences warrants this product to be free of defects in materials and workmanship. Our only obligation will be to replace any portion proving defective, or at our option, to refund the purchase price thereof.

SAINT-GOBAIN LIFE SCIENCES DISCLAIMS ALL IMPLIED WARRANTIES OF MERCHANTABILITY AND FITNESS FOR A PARTICULAR PURPOSE.



Saint-Gobain Life Sciences

4451 110th Avenue North
Clearwater, FL 33762
Toll-free: (800) 541-6880
Tel: (727) 531-4191
Fax: (727) 530-5603

www.biopharm.saint-gobain.com

FLS-5003F-0320-BPS

©2020 Saint-Gobain Life Sciences