



Sani-Tech®

Short Radius SIB® Sweep 90° Elbows

Superior Flow

Molded SIB® sweep elbows save space without sacrificing flow. The internal sweep design of the Sani-Tech® 90° elbows provides flow characteristics superior to sharp elbows. Sani-Tech piping and components have inner dimensions based on ASME BPE standards and match stainless steel tube dimensions. This design feature facilitates sanitary transition when connecting to stainless steel components without any obstruction to the flow path.

Simple

Sani-Tech® systems are simple to install, maintain and modify. User friendly fabrication equipment backed by factory direct training and certification ensure a trouble free installation. SIB® (Smooth Inner Bore) technology ensures a smooth inner surface for minimal maintenance. Modifications and additions to a distribution loop can easily be made. Inspection criteria is simple since no borescoping is required.

The Ultimate in High Purity

Sani-Tech® High Purity Piping Systems utilize high performance - high purity materials and highly reliable joining methods. Pipe and components are available in natural virgin polypropylene and PVDF materials. These materials eliminate maintenance issues associated with stainless steel, such as rouge and passivation. Sani-Tech connective technologies include SIB® (Smooth Inner Bore) High Speed Beadless Fusion and sanitary ferrules for mechanical connections. Both of these proven joining methods provide a smooth BPE compliant flow path free from entrapment areas and flow restrictions.

Features / Benefits

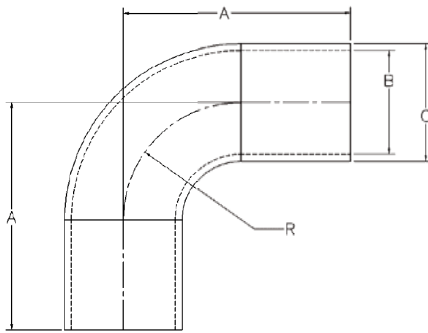
- Sweep elbows for Easy SIB® High Speed Beadless Fusion. Efficient flow with minimal pressure drop.
- SIB® Fusion: The Fastest Beadless Fusion Method.
- SIB® smooth inner bore High Speed Beadless Fusion eliminates entrapment areas reducing the risk of biofilm formation and flow restrictions.
- Dimensions based on ASME BPE standard. Sized to match Stainless Steel tube dimensions. No dimensional changes when mating up to stainless components.
- Broad chemical resistance. Corrosion free, easy to sanitize.
- Made in the USA. Local design, support & manufacturing.
- Available in PP & PVDF.
- Laser Etched - complete lot traceability (optional).
- Fast, simple to use fabrication equipment.
- Imparts no metals and very low overall extractables

Typical Applications

- USP Water distribution
- WFI distribution
- Lab: RO/DI water distribution
- Dialysis water
- Bio-Pharmaceutical processes
- Metal sensitive product transfer
- Corrosive product transfer
- Food & Beverage

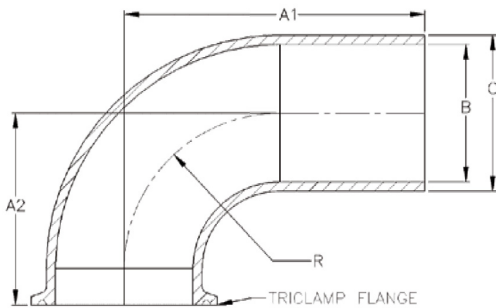


Short Radius SIB® 90° Elbow



Size In. (mm)	Material	Part #	A In. (mm)	B In. (mm)	C In. (mm)	R In. (mm)
1.5 (38)	Sani-Pro®K PVDF	SKM90-150-N	3.49 (88)	1.36 (34.5)	1.61 (40.8)	1.56 (39.6)
1.5 (38)	Sani-Pro T PP	STM90-150-N	3.49 (88)	1.36 (34.5)	1.61 (40.8)	1.56 (39.6)
2 (50)	Sani-Pro K PVDF	SKM90-200-N	4.06 (103)	1.86 (47.2)	2.11 (53.5)	2.10 (53.3)
2 (50)	Sani-Pro T PP	STM90-200-N	4.06 (103)	1.86 (47.2)	2.11 (53.5)	2.10 (53.3)

Short Radius SIB® 90° Elbow (SIB x Tri-Clamp)



Size	Material	Part #	A1 in. (mm)	A2 in. (mm)	B in. (mm)	C in. (mm)	R in. (mm)
1.5 (38)	Sani-Pro K PVDF	SKM90-150-NT	3.49 (88)	2.02 (51.3)	1.36 (34.5)	1.61 (40.8)	1.56 (39.6)
1.5 (38)	Sani-Pro T PP	STM90-150-NT	3.49 (88)	2.02 (51.3)	1.36 (34.5)	1.61 (40.8)	1.56 (39.6)
2 (50)	Sani-Pro K PVDF	SKM90-200-NT	4.06 (103)	2.59 (65.7)	1.86 (47.2)	2.11 (53.5)	2.10 (53.3)
2 (50)	Sani-Pro T PP	STM90-200-NT	4.06 (103)	2.59 (65.7)	1.86 (47.2)	2.11 (53.5)	2.10 (53.3)

Sani-Tech®, Sani-Pro® and SIB® are registered trademarks.

Sani-Pro® K PVDF

- USP Class VI
- FDA CFR 177.2510
- USDA
- 3A
- NSF 61
- Outstanding Surface Finish
- Operating Temperature:
 - up to 175°F (80°C)
- Sanitation methods:
 - Ozone
 - Hot Water
 - Chemical
 - UV

Sani-Pro® T PP

- USP <88> Class VI, and/or USP <87>, and/or ISO 10993-5
- FDA CFR 177.2510
- Operating Temperature:
 - up to 125°F (52°C)
- Sanitation methods:
 - Chemical

**SANI-PRO® PIPING
IS NOT INTENDED
FOR USE AS AN
IMPLANT MATERIAL.**

Contact us today for:

Consultations • Samples • Quotes • Orders

For registered access to Saint-Gobain Product Validation Summaries,

[CLICK HERE](#)



Saint-Gobain Performance Plastics

1600 Cottontail Lane
Somerset, New Jersey 08873
Tel: (727) 531-4191
Fax: (727) 530-5603

www.biopharm.saint-gobain.com

IMPORTANT: It is the user's responsibility to ensure the suitability and safety of Saint-Gobain Performance Plastics products for all intended uses and that the materials to be used comply with all applicable medical regulatory requirements. Saint-Gobain Performance Plastics assumes no responsibility for any product failures that occur due to misuse of the materials it provides arising out of the design, fabrication or application of the products into which the materials are incorporated.

WARRANTY: For a period of 12 months from the date of first sale, Saint-Gobain Performance Plastics warrants this product to be free of defects in materials and workmanship. Our only obligation will be to replace any portion proving defective, or at our option, to refund the purchase price thereof.

SAINT-GOBAIN PERFORMANCE PLASTICS DISCLAIMS ALL IMPLIED WARRANTIES OF MERCHANTABILITY AND FITNESS FOR A PARTICULAR PURPOSE.